

# AM100 series

## Ambience Monitoring Sensors



### ► Features

- Robust LoRa connectivity for indoor or HVAC environments
- Integrated multiple sensors like temperature, humidity, light, air quality, etc.
- Easily Configuration via NFC
- Visual display via E-Ink screen
- LoRaWAN v1.0/v1.0.2
- Uursalink Cloud compliant
- Low power consumption (about 1 year battery life)
- Standard AA alkaline battery

## Application Example



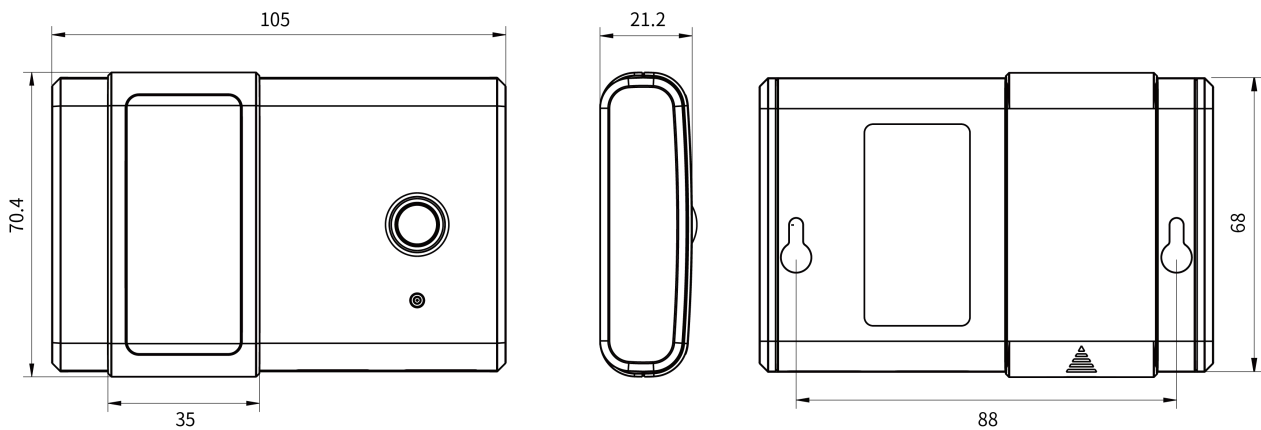
## Specifications

Model	AM102	AM100
<b>LoRaWAN</b>		
Frequency	EU433/CN470/IN865/RU864/EU868/US915/AU915/KR920/AS923	
Tx Power	20dBm	
Sensitivity	-147dBm @300bps	
Mode	OTAA/ABP Class A	
<b>Sensors</b>		
<b>Temperature</b>		
Range	-40°C to + 70°C	
Accuracy	0°C to + 70°C (+/- 0.3°C), -40°C to 0°C (+/- 0.6°C)	
<b>Humidity</b>		
Range	0% to 100% RH	
Accuracy	10% to 90% RH (+/- 3%), below 10% and above 90% RH(+/- 5%)	
<b>PIR</b>		
Detection Area	94 ° Horizontal, 82 ° Vertical	
Detection Distance	5 m	
<b>Light</b>		
Range	60000 lux (Visible + IR, IR)	
Accuracy	±30%	
<b>CO2</b>		
Range	400 - 5000 ppm	
Accuracy	±30 ppm or ±3 % of reading	
<b>TVOC</b>		
Range	0 - 60000 ppb	

N/A

Accuracy	±15 %	N/A
Long-term Stability	1.3 % accuracy drift per year	
<b>Barometric Pressure</b>		
Range	300 - 1100 hPa (-40°C - 85°C)	
Accuracy	±1 hPa	
<b>Display &amp; Configuration</b>		
Display	2.13-inch Black&White E-Ink Screen	
Configuration	Mobile APP or PC software via NFC: On/off + Configuration + Firmware Upgrade	
<b>Physical Characteristics</b>		
Power Input	2 × AA Alkaline battery	
Operating Temperature	-20°C to +70°C	
Relative Humidity	0% to 100% (non-condensing)	
Dimension	105 × 70.4 × 21.2 mm (4.1 × 2.8 × 0.8 in)	
Mounting	DIN rail, wall	

## ► Dimensions



Xiamen Ursalink Technology Co., Ltd.

4/F, No. 63-2 Wanghai Road, 2nd Software Park Xiamen 361008, China

Phone: +86-592-5023060

Fax: +86-592-5023065

Website: [www.ursalink.com](http://www.ursalink.com)

Email: [contact@ursalink.com](mailto:contact@ursalink.com)

